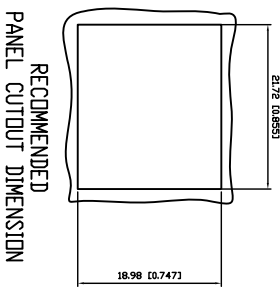
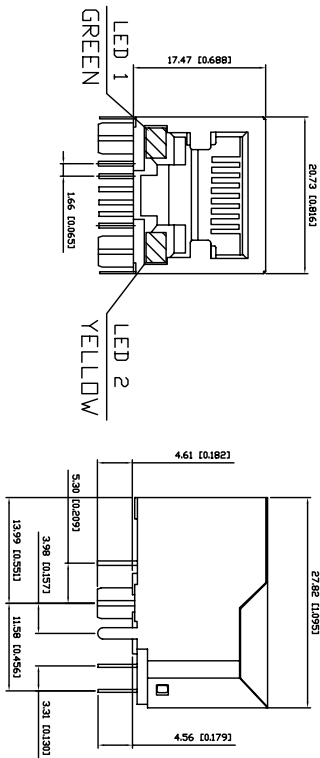


# 1 Port RJ-45 Jack Top Entry With 10/100 Base-T Magnetics Module

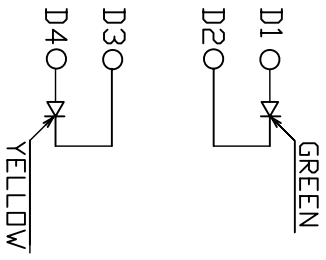
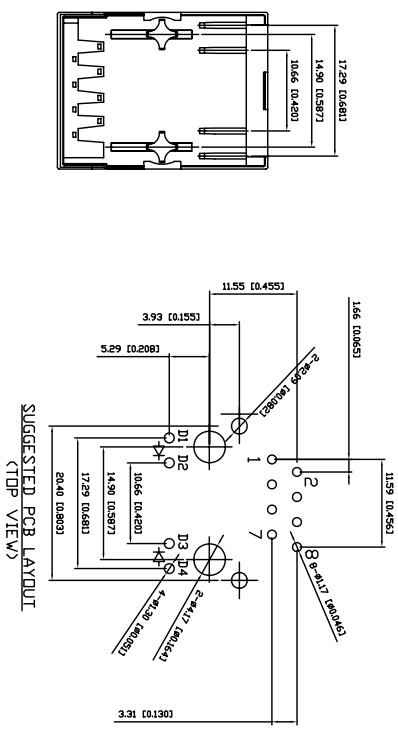
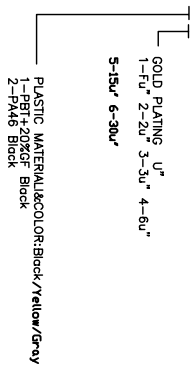


REV	变更内容 MODIFICATION	日期 DATE	制图 DRAW	批准 APPROVE
A	版面发行	2012/10/29	JDL	Oscar

NOTES:

- MATERIAL:**
- HOUSING MATERIAL :GLASS FILLED POLYESTER(U.94V-0);
  - CONTACT MATERIAL :PHOSPHOR BRONZE T=0.35mm
  - PLATING :SOLD PLATING OVER NICKEL.
  - SHIELD: COPPER ALLOY 0.20mm THICKNESS PLATING NI. SLEED OPTION.
- ELECTRICAL:**
- VOLTAGE RATING :125 VAC RMS.
  - CURRENT RATING :1.5 AMP.
  - CONTACT RESISTANCE :50 MILLIOHMS MAX.
  - INSULATION RESISTANCE :500 MEGOHMS MIN @ 500V DC.
  - DIELECTRIC WITHSTANDING RESISTANCE :1000V AC RMS 50HZ. 1MIN.
  - LED RATINGS:FORWARD VOLTAGE:2.2 VOLTS TYPICAL. REVERSE VOLTAGE:5 VOLTS MAXIMUM.
- MECHANICAL:**
- DURABILITY :750 CYCLES MIN.
  - PCB RETENTION PRE-SOLDER :1 LB MIN.
- ENVIRONMENTAL:**
- STORAGE : -20°C TO +85°C.
  - OPERATION : 0°C TO 70°C.
- MATES WITH MODULAR PLUG CONFORMING TO FCC PART 68, SUBPART F.

PART NUMBER: HRJ-YL1B013S1010SNL-14



A

B

C

D

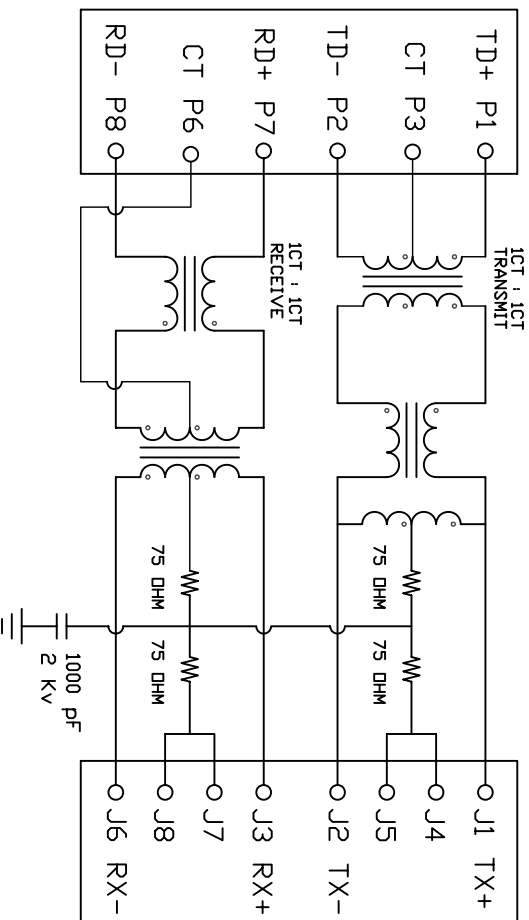
E

F

1 2 3 4 5 6 7 8

**ELECTRICAL SPECIFICATIONS @ 25°C+/-5°C unless otherwise noted:**

Schematics:



**Insertion Loss: 1-100MHZ -1.0dB MAX**

**Return Loss: 1-30MHZ -16.0dB MIN  
30-60MHZ -14.0dB MIN  
60-80MHZ -10.0dB MIN**

**Cross Talk: 1-30MHZ -40.0dB MIN  
30-60MHZ -35.0dB MIN  
60-80MHZ -30.0dB MIN**

**CMR: 1-100MHZ -35.0dB MIN**

**Hi-Pot: 1500v AC 6S 1mA**

**OCL:350uH MIN @ 100KHZ 100mV 8mA DC**

**Turn Ratio: 1CT:1CT+/-3%**

**Operating temperature range:0°C to +70°C**

**Housing Material: PBT Black**

REV	更改内容 MODIFICATION	日期 DATE	制图 DRAW	审核 APPROVE
A	版面发行	2012/10/29	JDL	Oscar

HTTP://WWW.RJ45JACK.COM		YOU LONG CONNECT THE WORLD	
DIMENSION IN mm [Inch]		YOU LONG ELECTRONICS LIMITED	
TOLERANCE UNLESS OTHERWISE SPECIFIED		图号 FILE NO.	
.X±0.20	X*±1*	图号 DWG NO. HRJ-YL1B013S1010SNL	
.XX±0.15	.X*±0.5*	标题 TITLE	
.XXX±0.075		10/100Base-T Magnetics Module RJ45 PCB JACK WITH SHIELDED , SIDE ENTRY,TAB-UP,Flat PIN	
QC : Inspection Item	CPK : Cp/Cpk and SPC Control Item	制图 DRAW	审核 APPROVE
		Oscar	
		比例 SCALE	图框 SIZE
		1:1	A3
			审核 REV
			A

If you have any questions,Don't hesitate to email sales@rj45jack.com,please!