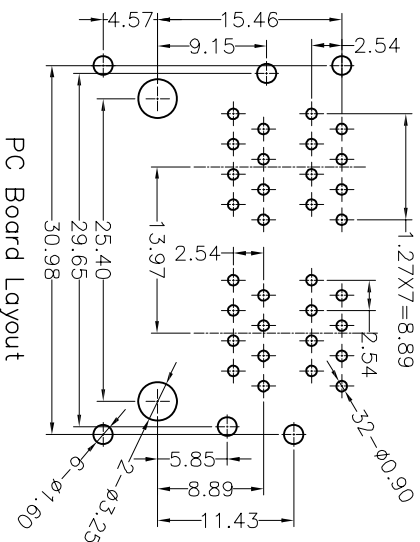
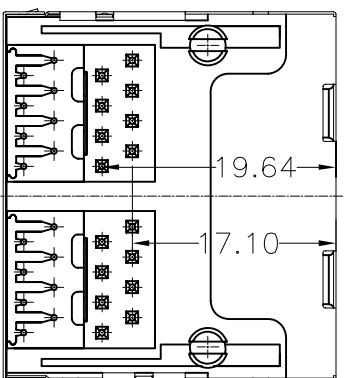
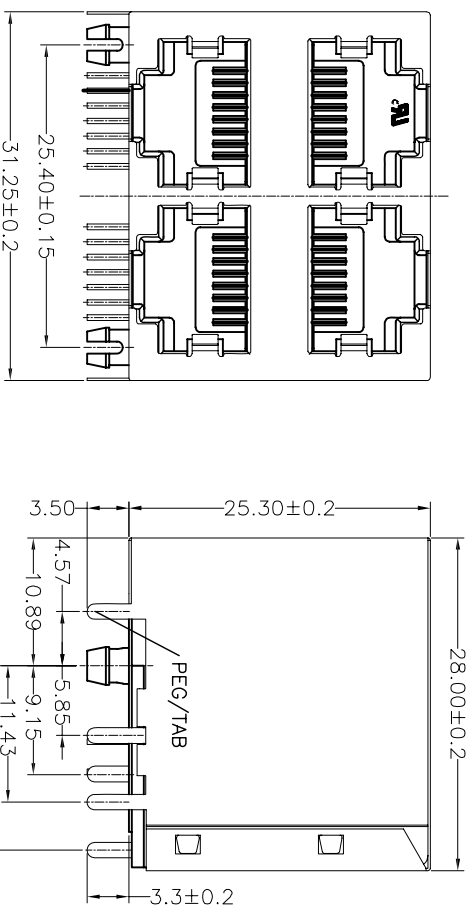


REV	变更内容 MODIFICATION	日期 DATE	制图 DRAW	审核 APPROVE
A	版面发行	2012/10/29	JDL	Oscar

NOTES:

- MATERIAL:
1. HOUSING MATERIAL : GLASS FILLED POLYESTER(U994V-0).
  2. CONTACT MATERIAL : PHOSPHOR BRONZE  $\phi 0.46\text{mm}$  (C5100).
  3. PLATING : GOLD PLATING OVER NICKEL.
  4. SHIELD: COPPER ALLOY 0.20mm THICKNESS PLATING NI.
- ELECTRICAL:
1. VOLTAGE RATING : 125 VAC RMS.
  2. CURRENT RATING : 1.5 AMP.
  3. CONTACT RESISTANCE : 50 MILLIOHMS MAX.
  4. INSULATION RESISTANCE : 500 MEGOHMS MIN @ 500V DC.
  5. DIELECTRIC WITHSTANDING RESISTANCE : 1000V AC RMS 50Hz. 1MIN.
- MECHANICAL:
1. DURABILITY : 750 CYCLES MIN.
  2. PCB RETENTION PRE-SOLDER : 1 LB MIN.
- ENVIRONMENTAL:
1. STORAGE : -40°C TO +85°C.
  2. OPERATION : 0°C TO 70°C.
- MATES WITH MODULAR PLUG CONFORMING TO FCC PART 68, SUBPART F.

PART NUMBER: 59A-S22888A-E0XX



PC Board Layout

GOLD PLATING:  $1\text{-}1\text{u}''$ ,  $2\text{-}2\text{u}''$ ,  $3\text{-}3\text{u}''$ ,  $4\text{-}6\text{u}''$   
 PLASTIC MATERIAL/COLOR: Black/Yellow/Gr-ey  
 1-PBT+20%GF Black  
 2-PP46 Black

HTTP://WWW.RJ45JACK.COM		YOU LONG CONNECT THE WORLD	
:Inspection Item		YOU LONG ELECTRONICS LIMITED	
:Cp/Cpk and SPC Control Item		图号 FILE NO.	
DIMENSION IN mm [Inch]		图号 DWG NO. YL59A-S22888A-E0	
TOLERANCE UNLESS OTHERWISE SPECIFIED		标题 TITLE	
.X±0.20 X.±1"		59A 2X2 8P9C PCB JACK WITH SHIELDED SIDE ENTRY,ROUND PIN	
.XX±0.15 .X.±0.5"		规格 SCALE	
.XXX±0.075		比例 SCALE	
批准 APPROVE		制图 DRAW	
检查 CHECK		审核 SCALE	
		Oscar	
		1:1	
		A3	
		1	
		A	

If you have any questions, Don't hesitate to email sales@rj45jack.com, please!