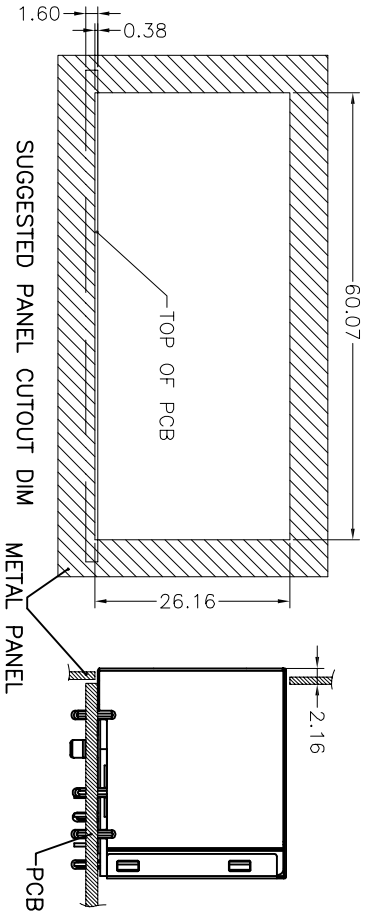


PC Board Layout

PART NUMBER: 59A-S2488A-E0XX



NOTES:

- MATERIAL:
- HOUSING MATERIAL :GLASS FILLED POLYESTER(U194V-0).
 - CONTACT MATERIAL :PHOSPHOR BRONZE $\phi 0.46\text{mm}$ (C5100).
 - PLATING :GOLD PLATING OVER NICKEL.
 - SHIELD,COPPER ALLOY 0.20mm THICKNESS PLATING NI.
- ELECTRICAL:
- VOLTAGE RATING :125 VAC RMS.
 - CURRENT RATING :1.5 AMP.
 - CONTACT RESISTANCE :50 MEGOHMS MAX.
 - INSULATION RESISTANCE :500 MEGOHMS MIN @ 500V DC.
 - DIELECTRIC WITHSTANDING RESISTANCE :1000V AC RMS 50HZ. 1MIN.
- MECHANICAL:
- DURABILITY :750 CYCLES MIN.
 - PCB RETENTION PRE-SOLDER :1 LB MIN.
- ENVIRONMENTAL:
- STORAGE :-40°C TO +85°C.
 - OPERATION :0°C TO 70°C.
- MATES WITH MODULAR PLUG CONFORMING TO FCC PART 68,SUBPART F.

REV	变更内容 MODIFICATION	日期 DATE	制图 DRAW	审核 APPROVE
A	版面发行	2012/10/29	JDL	Oscar

PLASTIC MATERIAL:COLOR:Black/Yellow/Grey
1-BRT+20%GF Black
2-PA46 Black

GOLD PLATING "u"
1-1"u" 2-2"u" 3-3"u" 4-6"u"

HTTP://WWW.RJ45JACK.COM YOU LONG CONNECT THE WORLD
YOU LONG ELECTRONICS LIMITED

DIMENSION IN mm [Inch]
TOLERANCE UNLESS OTHERWISE SPECIFIED
FILE NO. 图号
DWG NO. YL59A-S2488A-E0

INSPECTION ITEM : Cp/Cpk and SPC CONTROL ITEM
TOLERANCE UNLESS OTHERWISE SPECIFIED
FILE NO. 图号
DWG NO. YL59A-S2488A-E0

批准 APPROVE	检查 CHECK	制图 DRAW	审核 APPROVE
		Oscar	

If you have any questions, Don't hesitate to email sales@rj45jack.com, please!