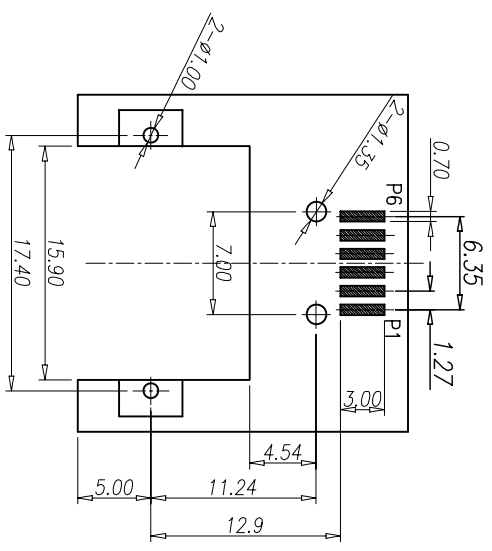
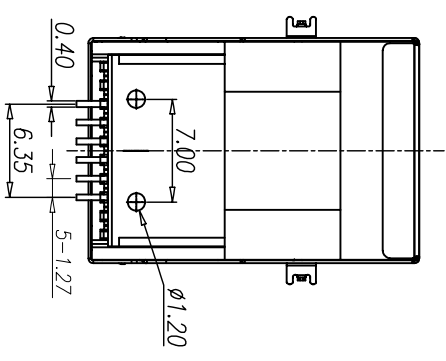
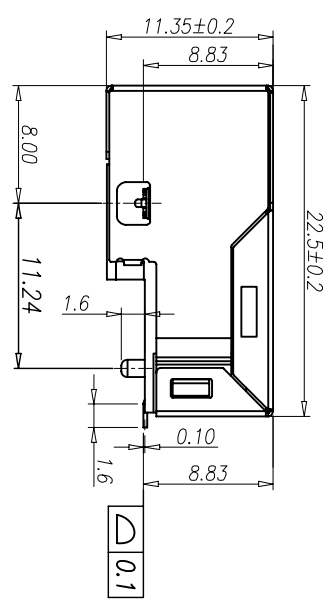
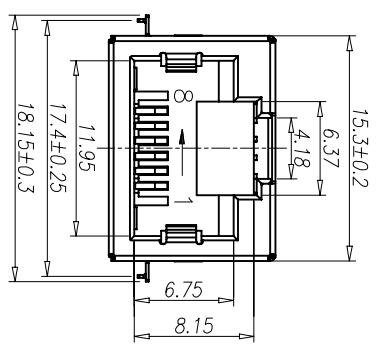


1 Port RJ-45 Jack Embedded SMT With 10/100 Base-T Magnetics Module



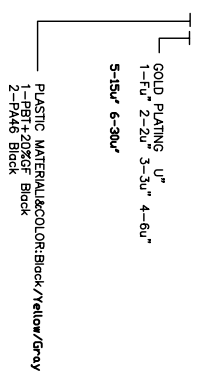
REV	变更内容 MODIFICATION	日期 DATE	制图 DRAW	审核 APPROVE
A	版面发行	2012/10/29	JDL	Oscar



PC Board Layout

- NOTES:
- MATERIAL:
- 1.HOUSING MATERIAL :GLASS FILLED POLYESTER(U94V-0);
 - 2.CONTRACT MATERIAL :PHOSPHOR BRONZE T=0.35mm
 - 3.PLATING :SOLD PLATING OVER NICKEL.
 - 4.SHIELD COPPER ALLOY 0.20mm THICKNESS PLATING NI. SLEED OPTION.
- ELECTRICAL:
- 1.VOLTAGE RATING :125 VAC RMS.
 - 2.CURRENT RATING :1.5 AMP.
 - 3.CONTRACT RESISTANCE :50 MEGOHMS MAX
 - 4.INSULATION RESISTANCE :500 MEGOHMS MIN @ 500V DC.
- 5.DIELECTRIC WITHSTANDING RESISTANCE :1000V AC RMS 50HZ. 1MIN.
- 6.LED RATINGS:FORWARD VOLTAGE:2.2 VOLTS TYPICAL. REVERSE VOLTAGES MAXIMUM.
- MECHANICAL:
- 1.DURABILITY :750 CYCLES MIN.
 - 2.PCB RETENTIONAL :LB MIN.
- ENVIRONMENTAL:
- 1.STORAGE : -20°C TO +85°C.
 - 2.OPERATION : 0°C TO 70°C.
- MATES WITH MODULAR PLUG CONFORMING TO FCC PART 68.SUBPART F.

PART NUMBER: HRJ-YL SMT3001NL-XX



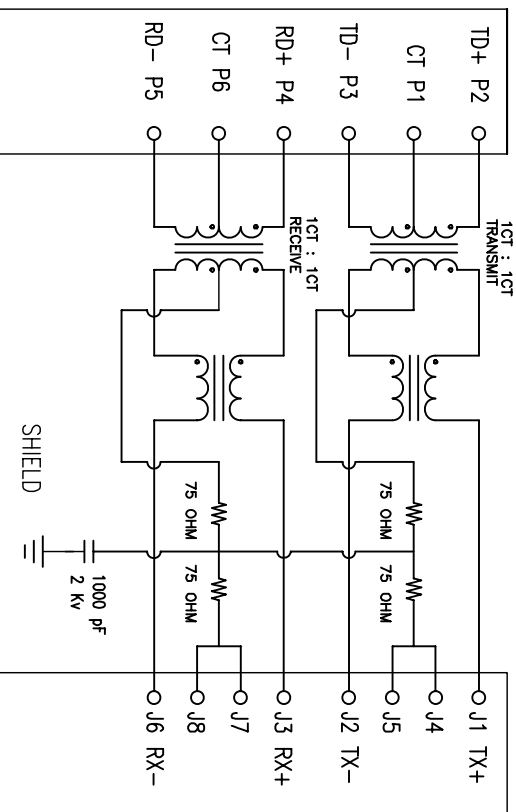
YOU LONG CONNECT THE WORLD
YOU LONG ELECTRONICS LIMITED

:Inspection Item		:Cp/Cpk and SPC Control Item	
DIMENSION IN mm [Inch]			
TOLERANCE UNLESS OTHERWISE SPECIFIED			
X ± 0.20	X ± 1°	公差	检查
.XXX ± 0.15	.X ± 0.5°	公差	检查
.XXX ± 0.075		公差	检查
FILE NO.		图号	
HRJ-YL SMT3001NL		HRJ-YL SMT3001NL	
TITLE		名称	
10/100Base-T Magnetics Module RJ45 Embedded PCB JACK WITH SHIELDED , SIDE ENTRY,1A-B-Up Flat PIN		10/100Base-T Magnetics Module RJ45 Embedded PCB JACK WITH SHIELDED , SIDE ENTRY,1A-B-Up Flat PIN	
OSCAR		制图	
SCALE		比例	
1:1		1:1	
SIZE		图框	
A3		A3	
REV		审核	
A		A	

If you have any questions,Don't hesitate to email sales@rj45jack.com,please!

ELECTRICAL SPECIFICATIONS @ 25°C+/-5°C unless otherwise noted:

Schematics:



Insertion Loss: 1-100MHZ -1.0dB MAX

Return Loss: 1-30MHZ -16.0dB MIN
30-60MHZ -14.0dB MIN
60-80MHZ -10.0dB MIN

Cross Talk: 1-30MHZ -40.0dB MIN
30-60MHZ -35.0dB MIN
60-80MHZ -30.0dB MIN

CMR: 1-100MHZ -35.0dB MIN

Hi-Pot: 1500v AC 6S 1mA

OCL:350uH MIN @ 100KHZ 100mv 8mA DC

Contacts: 0.35mm thick phos bronze plated with 6u' gold in contact area

Turn Ratio: 1CT:1CT+/-3%

更改 REV	变更内容 MODIFICATION	日期 DATE	制图 DRAW	审核 APPROVE
A	版面发行	2012/10/29	JDL	Oscar

HTTP://WWW.RJ45JACK.COM		YOU LONG CONNECT THE WORLD	
YOU LONG ELECTRONICS LIMITED		YOU LONG ELECTRONICS LIMITED	
DIMENSION IN mm [Inch]		TOLERANCE UNLESS OTHERWISE SPECIFIED	
.X±0.20 X*±1*		.X*±0.5*	
.XXX±0.15		.XXX±0.075	
XXXX±0.075		XXXX±0.075	
:Inspection Item		: Cp/Cpk and SPC Control Item	
QC		CPK	
TITLE		规格	
10/100Base-T Magnetics Module RJ45 Embedded PCB JACK WITH SHIELDED , SIDE ENTRY,TAB-UP Flat PIN		10/100Base-T Magnetics Module RJ45 Embedded PCB JACK WITH SHIELDED , SIDE ENTRY,TAB-UP Flat PIN	
FILE NO.		图号	
X.XX±0.15		HRJ-YLSMT3001NL	
DRAWN		审核	
Oscar		1:1	
SCALE		图例	
1:1		A3	
REV		1	
A		A	

If you have any questions, Don't hesitate to email sales@rj45jack.com, please!